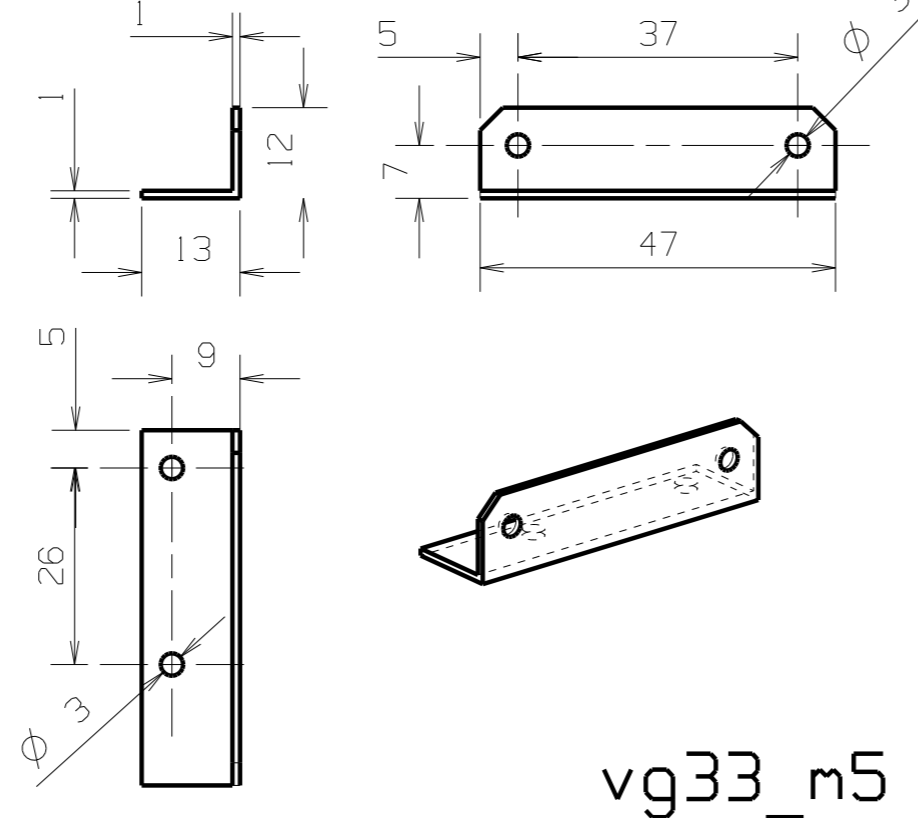
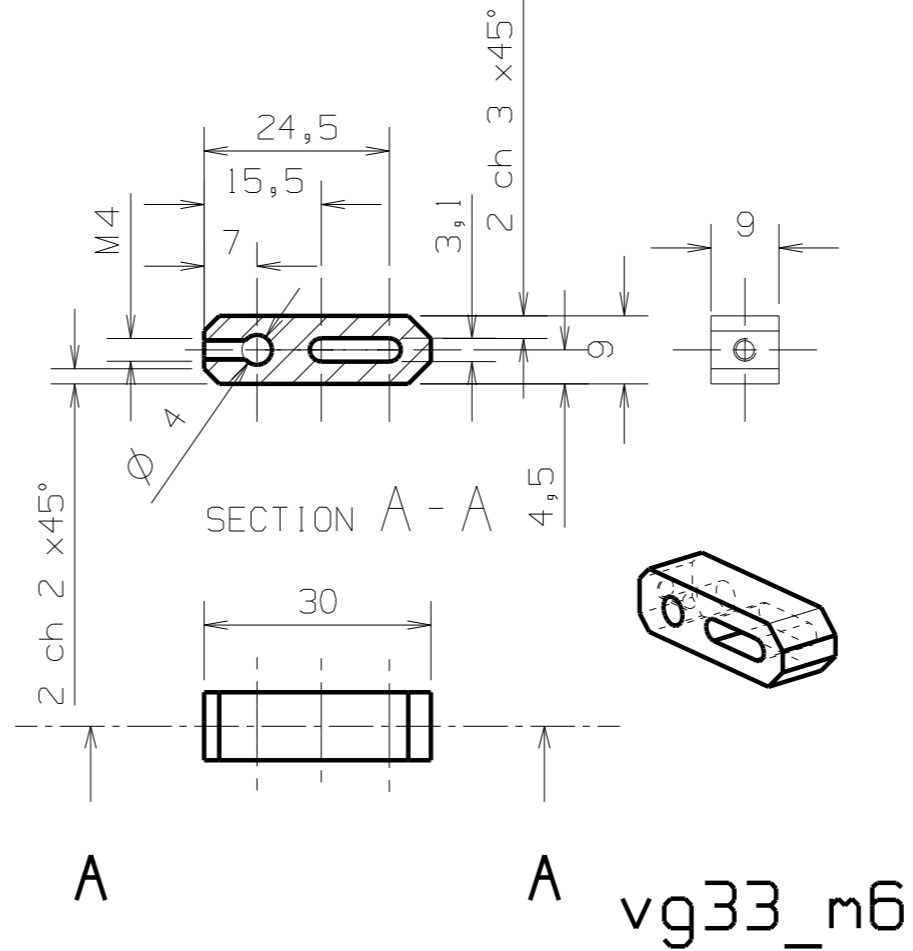


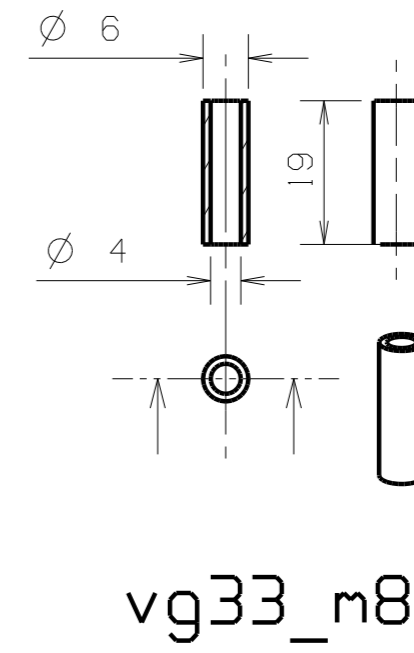
vg33\_m4



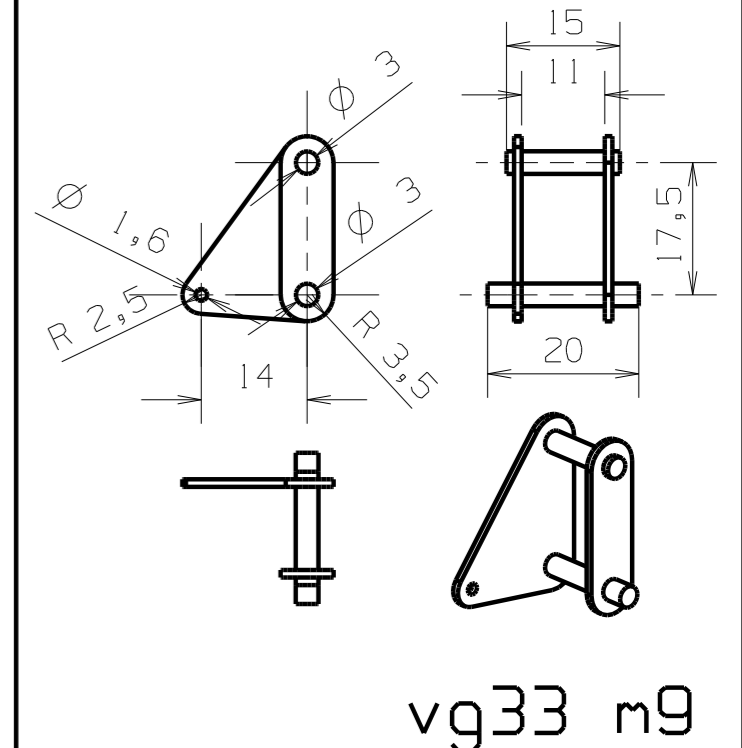
vg33\_m5



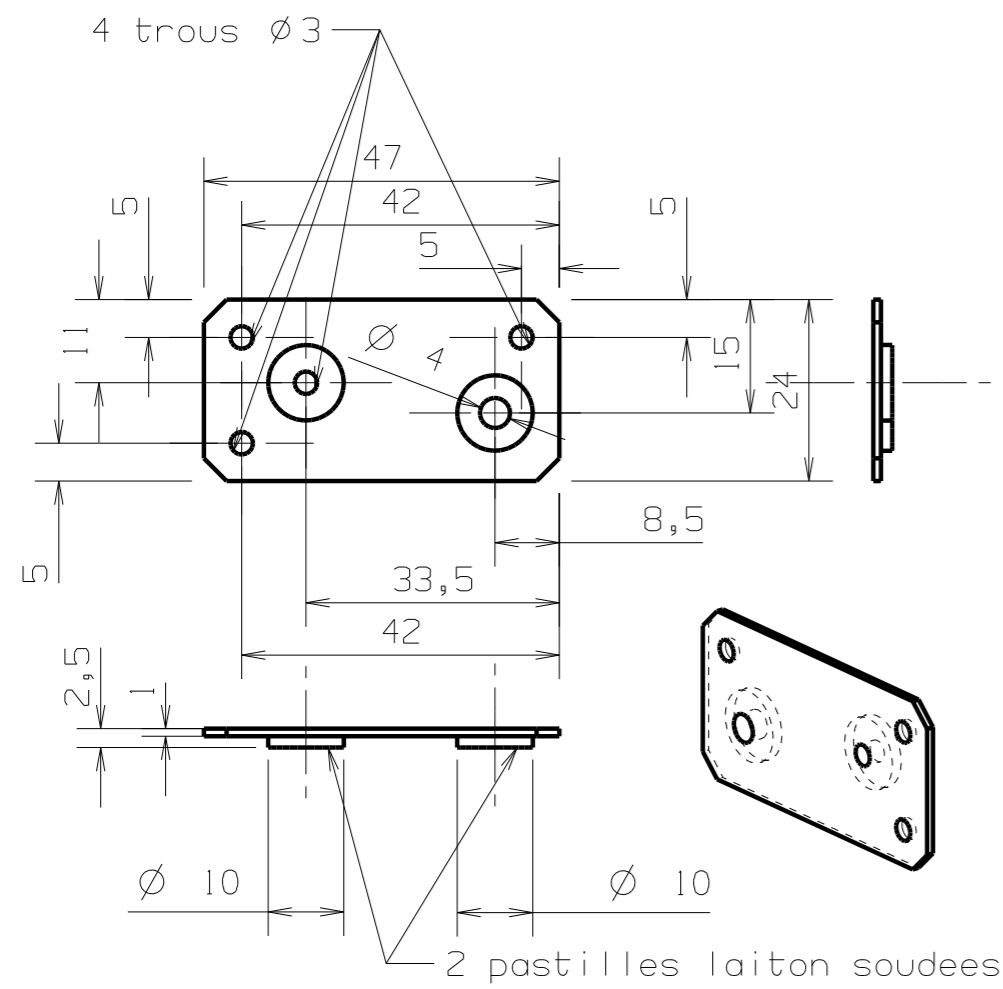
vg33\_m6



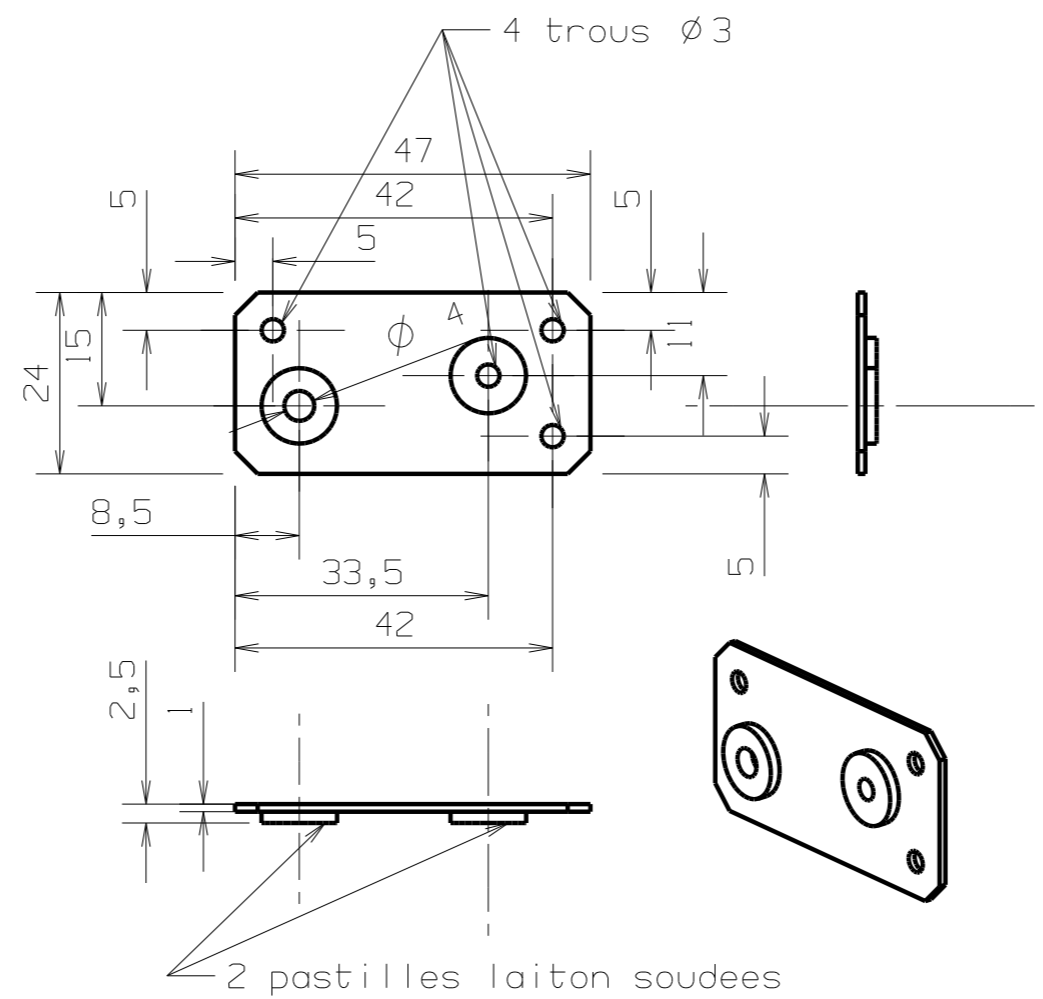
vg33\_m8



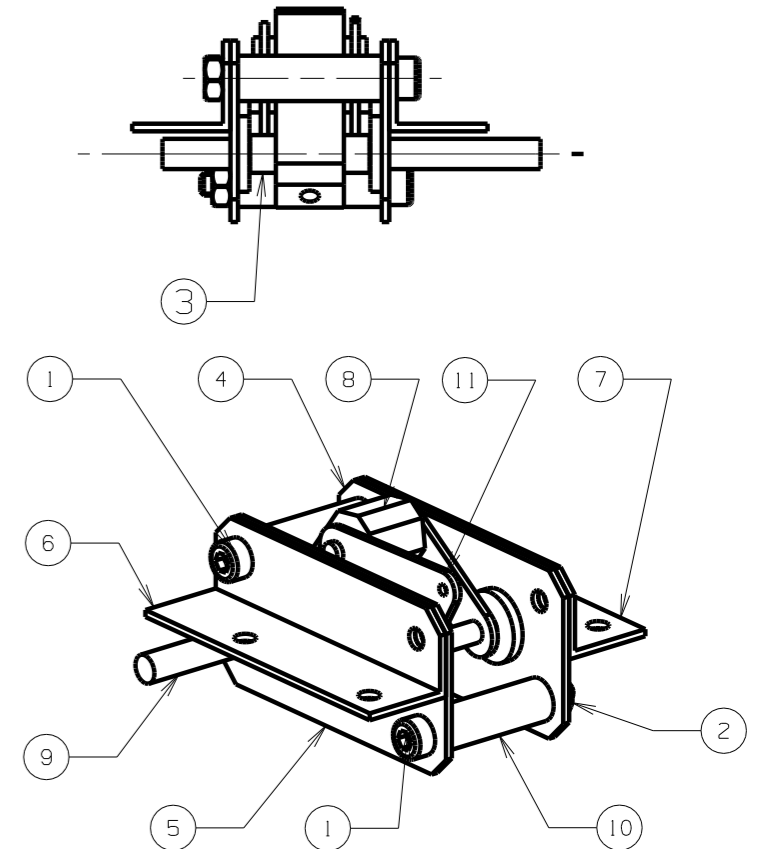
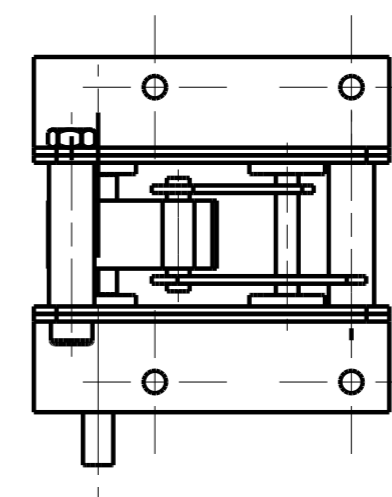
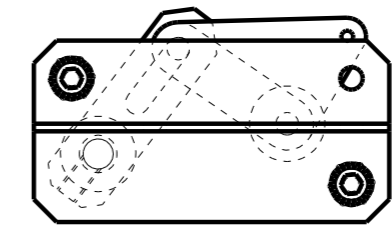
vg33\_m9



vg33\_m2



vg33\_m3



No PLAN	Rep	Nbr	Designation	Matiere
	1	2	Chc M3 x 25	
	2	2	Ecrou M3	
vg33_m10	3	2	Entretoise	2017A
vg33_m2	4	1	Platine gauche	Laiton
vg33_m3	5	1	Platine droite	Laiton
vg33_m4	6	1	Equerre droite	2017 A
vg33_m5	7	1	Equerre gauche	2017 A
vg33_m6	8	1	Levier	2017 A
vg33_m7	9	1	Axe	XC100
vg33_m8	10	2	Entretoise	2017 A
vg33_m9	11	1	Commande	Laiton